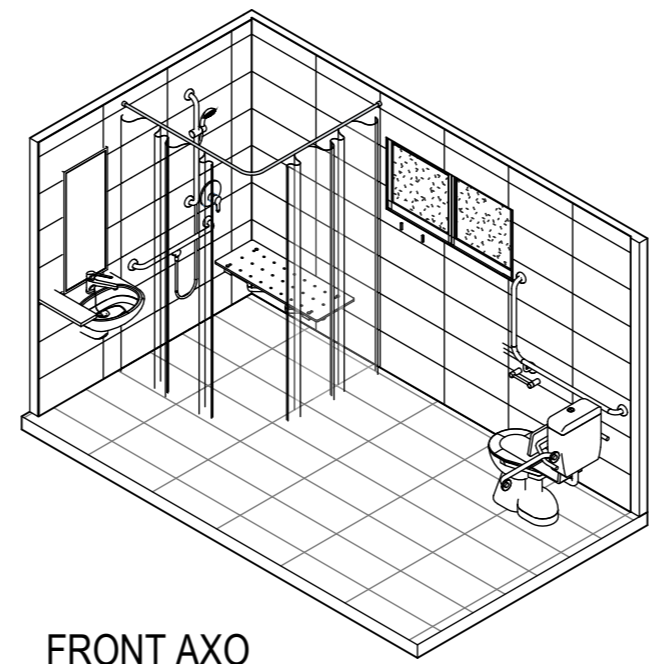
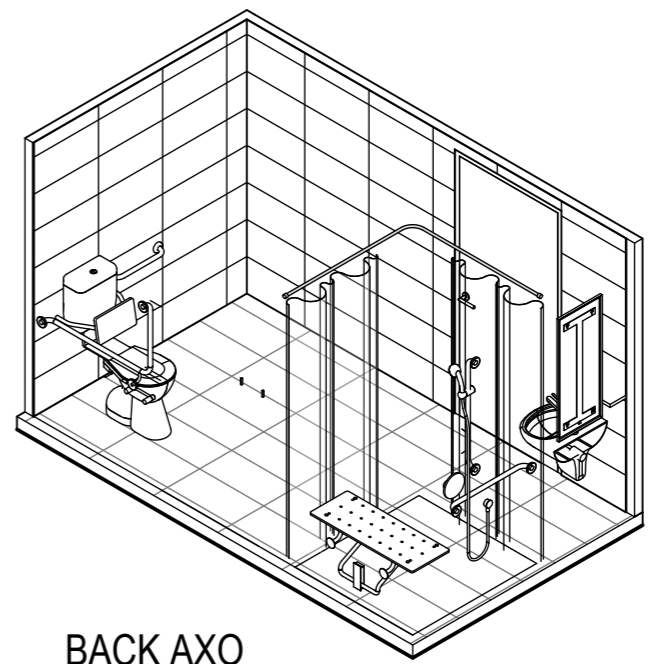


FLOOR PLAN
1 : 50

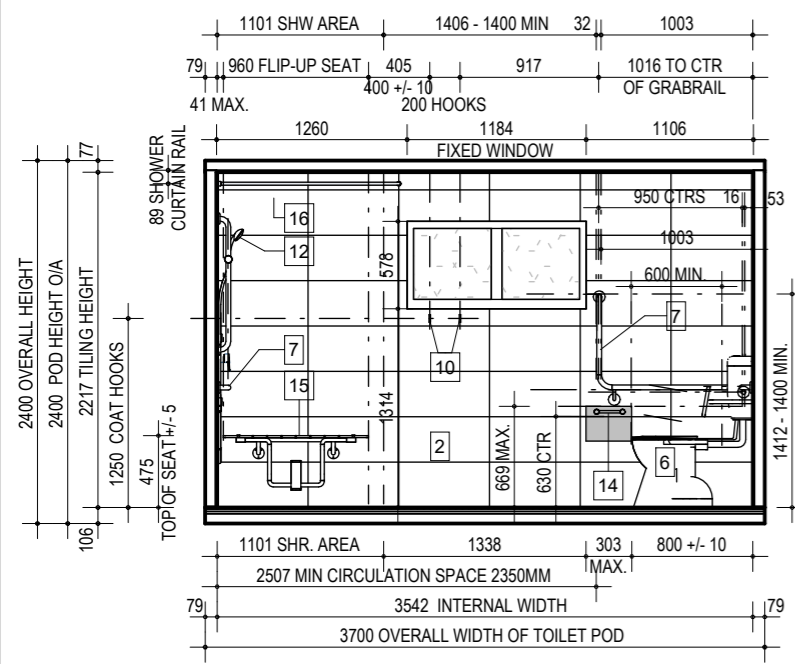


FRONT AXO

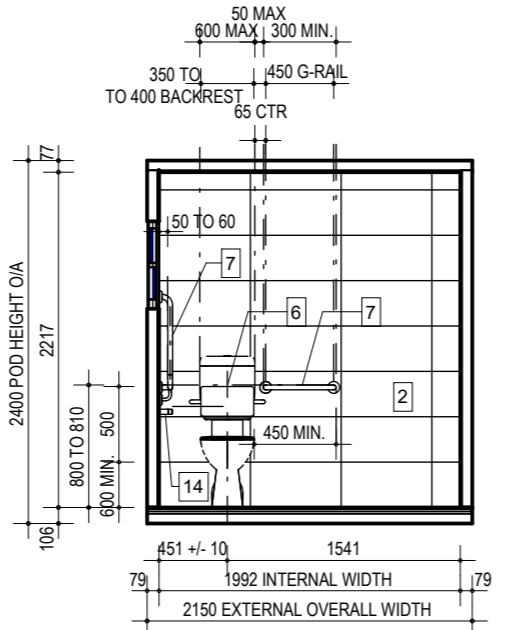


BACK AXO

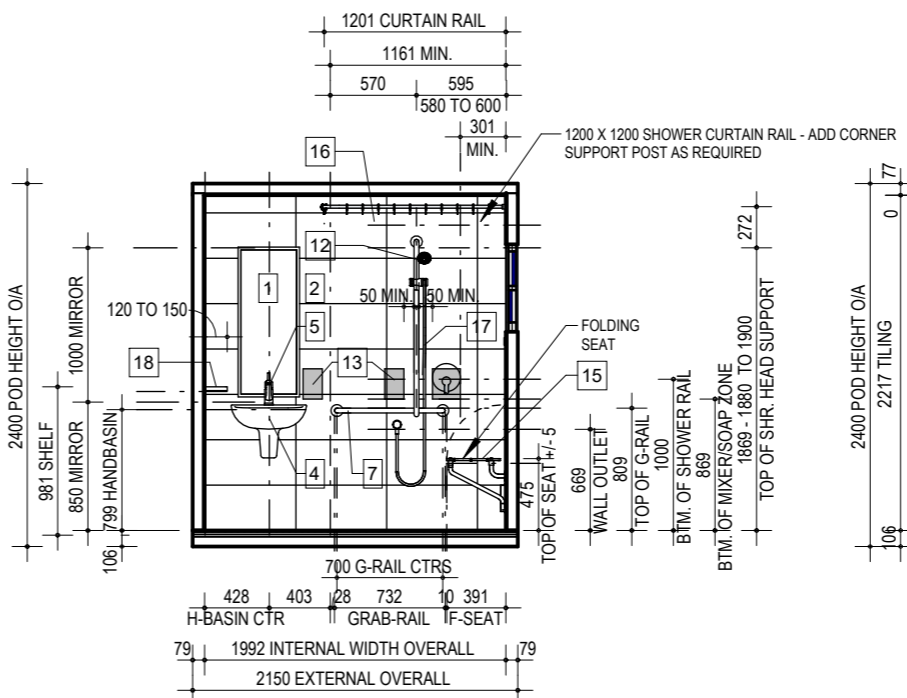
- WET AREA LEGEND**
- 1 FRAMED MIRROR
 - 2 WALL TILE AS SPECIFIED
 - 3 FLOOR TILE AS SPECIFIED
 - 4 SELECTED BASIN
 - 5 SELECTED TAP MIXER
 - 6 SELECTED WC
 - 7 SELECTED GRAB RAIL
 - 8 SELECTED EXHAUST FAN
 - 9 FLOOR WASTE
 - 10 SELECTED SINGLE WALL HOOK
 - 11 SHOWER SCREEN
 - 12 SELECTED SHOWER HEAD & MIXER
 - 13 SELECTED SOAP HOLDER
 - 14 SELECTED TRH @ 700AFL
 - 15 SELECTED BENCH SEAT
 - 16 SELECTED CURTAIN RAIL
 - 17 SHOWER HOSE
 - 18 SELECTED SHELF



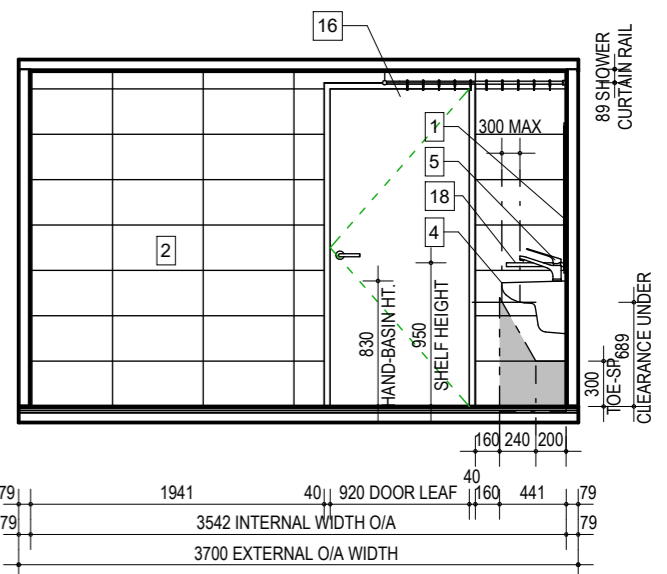
ELEVATION A
1 : 50



ELEVATION B
1 : 50



ELEVATION C
1 : 50



ELEVATION D
1 : 50



1. THIS DRAWING IS COPYRIGHT PROTECTED & REMAINS THE PROPERTY OF WABI DESIGN (ABN 74 148 215 070) & ECO STRUCTURES AUSTRALIA (ABN 76 112 623 284) & SHALL NOT BE USED FOR ANY OTHER PURPOSE THAN ORIGINALLY INTENDED.
2. READ FIGURED DIMENSIONS IN PREFERENCE TO SCALE ALL DIMENSIONS IN mm U.O.M.
3. BUILDER TO CHECK AND CONFIRM ALL MEASUREMENTS, LEVELS & DETAILS PRIOR TO THE COMMENCEMENT OF ANY WORK OR FINANCIAL COMMITMENT. BUILDER TO CHECK AND CONFIRM MEASUREMENTS OF EXISTING BUILDING.
4. THIS DRAWING TO BE READ IN CONJUNCTION WITH ALL BUILDING DESIGN DRAWINGS, ARCHITECTURAL NATSPEC SPECIFICATION, ALL CONSULTANTS DRAWINGS AND SPECIFICATIONS & MANUFACTURERS SPECIFICATION.
5. ALL WORKMANSHIP & MATERIALS TO BE IN ACCORDANCE WITH THE MOST CURRENT BUILDING REGULATIONS, S.A.A. CODES & AUSTRALIA STANDARDS.
6. CONCEPTS SHOWN ARE SUBJECT TO RELEVANT AUTHORITY APPROVALS.
7. THE FINAL DESIGN INCLUDING THE WINDOW AND DOOR LAYOUTS ARE SUBJECT TO THE STRUCTURAL ENGINEER REVIEW AND SITE CONDITIONS
8. 3D IMAGES, FURNITURE, FIXTURE & LANDSCAPING FOR ILLUSTRATIVE PURPOSES ONLY.

PRODUCT SPECIFICATIONS

CANVAS COLOUR:
PVC COLOUR:
DECKING BOARDS:
VINYL:
GLASS SLIDING DOOR:

DESIGN APPROVAL
WE AUTHORISE ECO STRUCTURES TO PROGRESS WITH MANUFACTURING DRAWINGS.

OWNER.....
SIGNATURE.....
DATE.....

PROJECT:
P2 UAT BATHPOD

ADDRESS:

CLIENT:

AA DRAWINGS

DRAWN MR	SCALE @ A3 As indicated	DATE & DESCRIPTION
PROJECT NO.		
DRAWING	P2 UAT BATHPOD	REVISION
DRAWING NO.	AA10	

